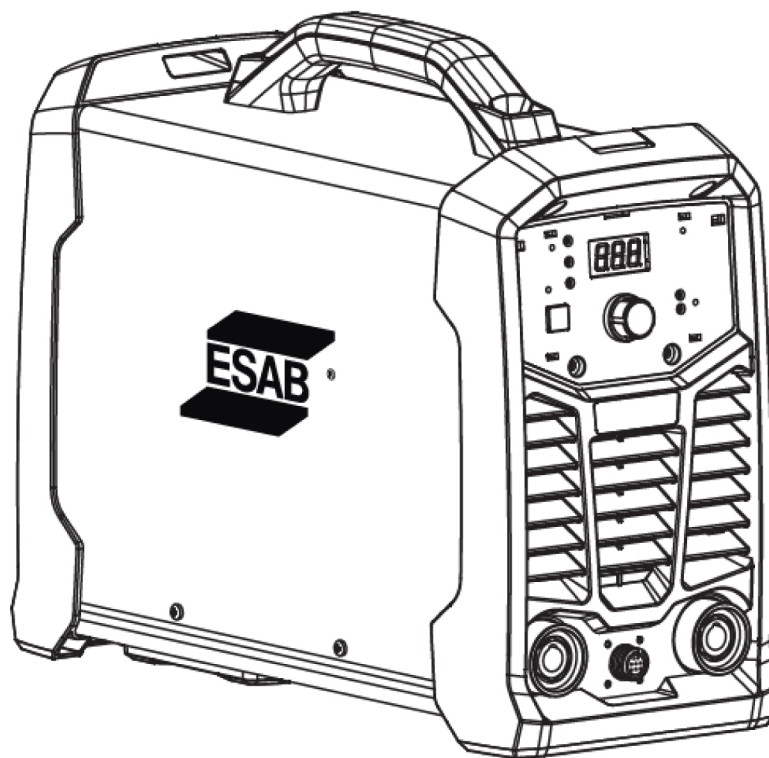




Rogue

ES 250i



Spare parts list

Ordering no.	Denomination	Notes
0700 500 250	Rogue ES 250i	Welding power source
0700 500 *	Rogue ES 250i	Instruction manual
0700 500 265	Rogue ES 250i	Spare parts list
0700 500 268	Rogue ES 250i	Service manual

Spare parts may be ordered through your nearest ESAB dealer, see esab.com. When ordering, please state product type, serial number, denominations and ordering numbers according to the spare parts list. This facilitates dispatch and ensures correct delivery.

Maintenance and repair work should be performed by an experienced person, and electrical work only by a trained electrician. Use only recommended spare parts.

For accessories to the product, see the instruction manual.

The three last digits in the document number of the manual show the version of the manual. Therefore they are replaced with * here. Make sure to use a manual with a serial number or software version that corresponds with the product, see the front page of the manual.

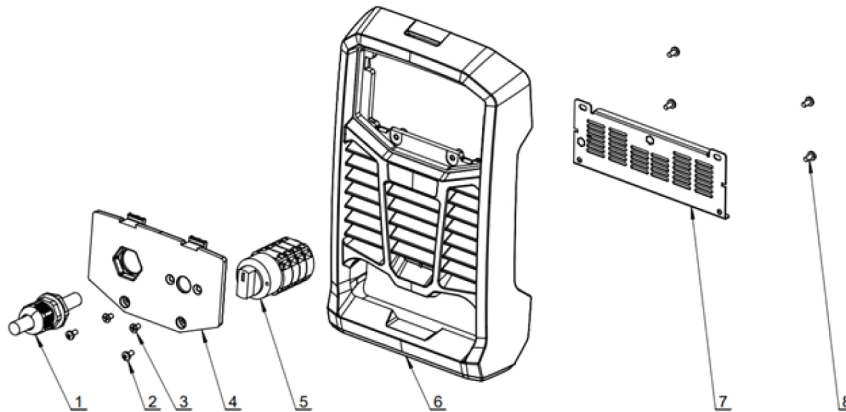
TABLE OF CONTENTS

- 1 SPARE PARTS 4**
- 1.1 Back panel module 4**
- 1.2 Front panel module 5**
- 1.3 Middle plate module 6**
- 1.4 Base plate module 8**
- 1.5 Whole power source module 9**

1 SPARE PARTS

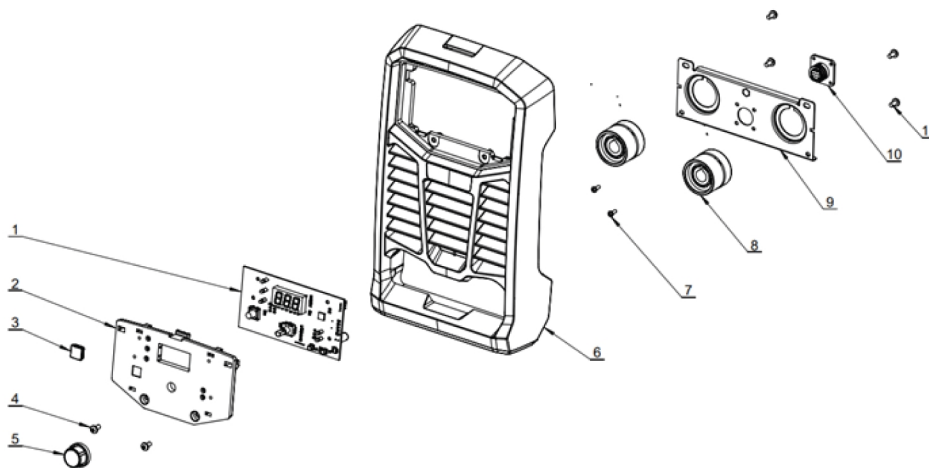
1.1 Back panel module

C = Component designation in the circuit diagram					
Item	Qty	Ordering no.	Denomination	Notes	C
1	1		Cable glands	Rogue ES 250i	
2	2		Screw	ST4.2 × 9.5-F GB/T845-1985	
3	2		Screw	ST4.2 × 9.5-F GB/T845-1985	
4	1		Holding plate	Rogue ES 250i	
5	1	0464751103	Main switch kit	Including 5/3 and the harness to EMI PCBA	2SW1
6	1	0464752138	Rear panel kit	Including 2/4/6/7/8 and decal	
7	1		Ventilation sheet metal		
8	4		Screw	ST4.2 × 9.5-F GB/T845-1985	
9	1	0464751104	Input cable	Including magnetic ring	
10	1		Harness to EMI PCBA	Not shown in drawing	



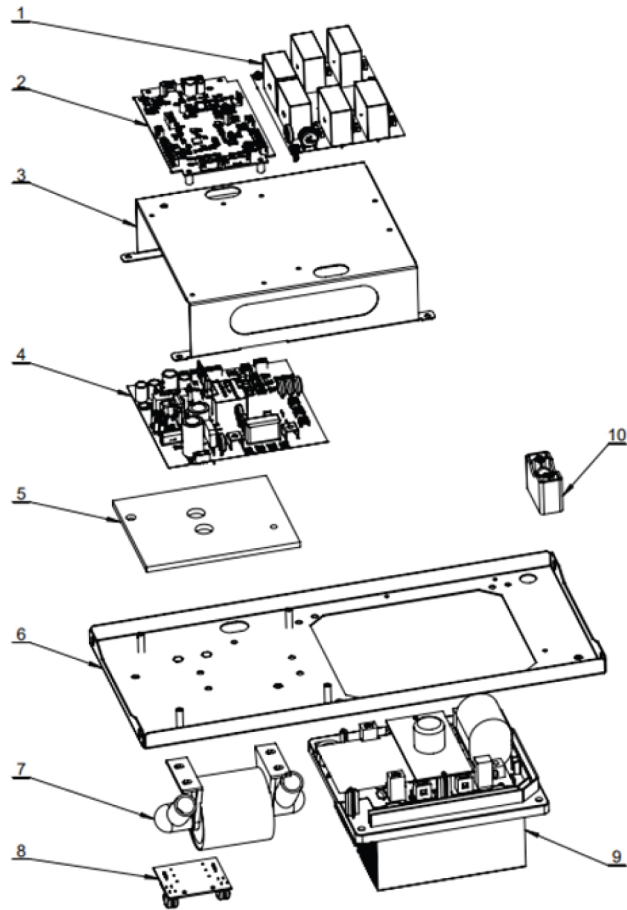
1.2 Front panel module

C = Component designation in the circuit diagram					
Item	Qty	Ordering no.	Denomination	Notes	C
1	1	0464751105	Display PCB kit	Including 1/2/3/4/5 and decal	1AP1
2	1	0464752139	PCB holder plate	Rogue ES 250i	
3	1		Rubber cap	Rogue ES 250i	
4	2		Screw	M3 × 14 GB/T9074.4-1988	
5	1	0464672003	Knob	Rogue ES 250i	
6	1	0464752140	Front/back plastic panel kit	Including 9 and 11	
7	2		Screw	M3 × 14 GB/T9074.4-1988	
8	2	0160362025	OKC connector	DKJ35-70	XS1, XS2
9	1		OKC holding plate	Rogue ES 250i	
10	1	0464751106	8pin connector kit	Including 7, decal and harness	XS3
11	4		Screw	M3 × 14 GB/T9074.4-1988	
12	1	0464752148	Harness to display PCBA	Not shown in drawing	
13	1	0464752149	Harness filter PCBA to OKC	Not shown in drawing	



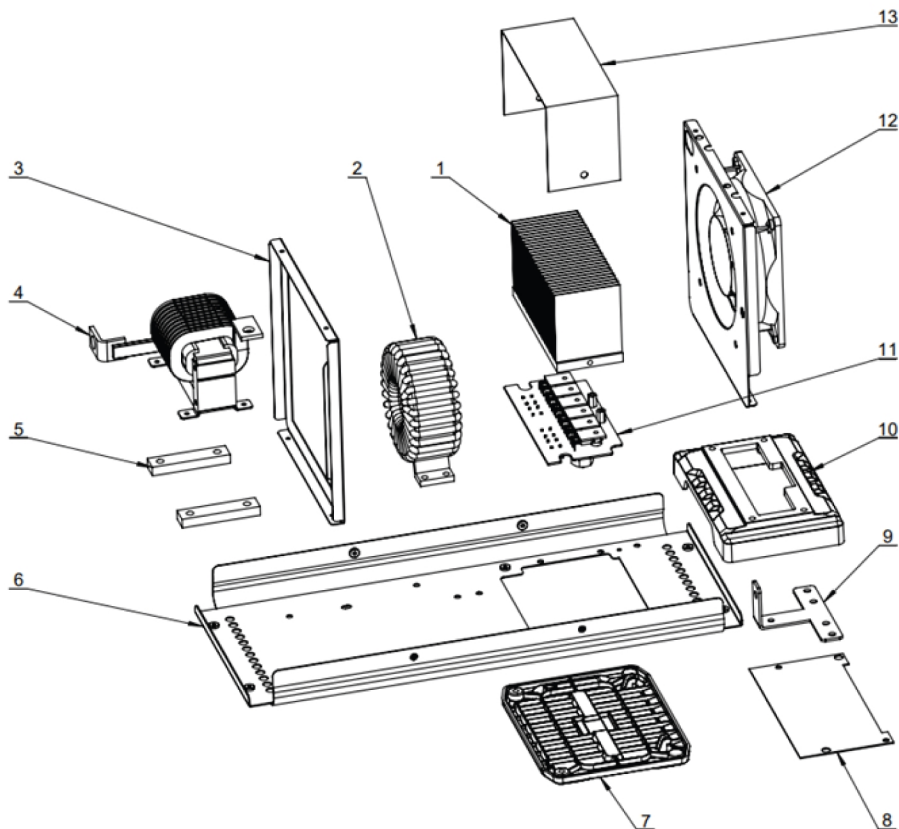
1.3 Middle plate module

C = Component designation in the circuit diagram					
Item	Qty	Ordering no.	Denomination	Notes	C
1	1	0464751107	EMI PCB	Rogue ES 250i	2AP1
2	1	0464751108	Control PCB	Including latest software	20AP1
3	1		Holding plate	Rogue ES 250i	
4	1	0464751109	Multifunctional PCB kit	Including thermal compound	20AP2
5	1		Heat sink	Rogue ES 250i	
6	1		Middle plate	Rogue ES 250i	
7	1	0464752141	Filter capacitor	Rogue ES 250i	15C1
8	1	0464751110	Filter PCB	Rogue ES 250i	20AP3
9	1	0464751041	IGBT assembly	Including IGBT/heatsink/IGBT gate drive PCB	
10	1		Cable clamps	Including 10 and fasten	
11	1	0464751042	Temp sensor harness	Rogue ES 250i	15ST1
12	1	0464752155	Harness, EMI to multi.PCB	Rogue ES 250i	
13	1	0700401842	Harness	Not shown in drawing	
14	1	0464752151	Harness kit 2, ctrl to multi.PCB	Not shown in drawing	
15	1	0464752152	Harness kit 3, ctrl to multi.PCB	Not shown in drawing	
16	1	0464752153	Harness, control PCB to IGBT	Not shown in drawing	
17	1	0464751043	Hall harness	Not shown in drawing	15CS1
18	1	0464752154	Harness control PCB to filter PCB	Not shown in drawing	



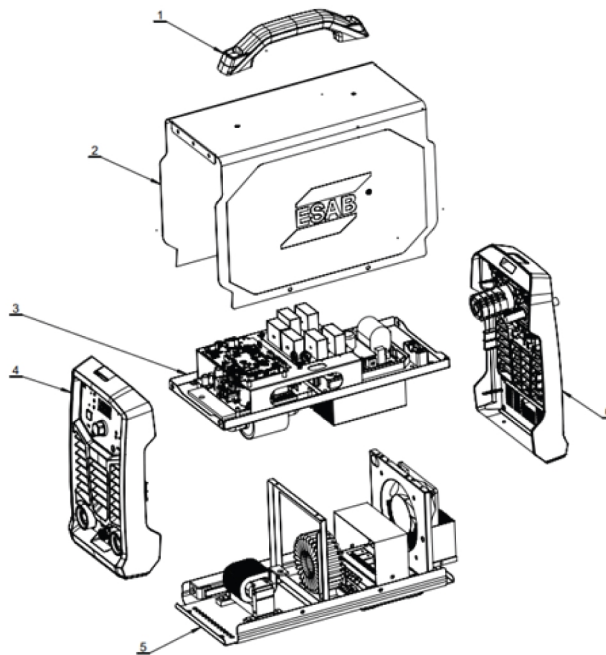
1.4 Base plate module

C = Component designation in the circuit diagram					
Item	Qty	Ordering no.	Denomination	Notes	C
1	1		Heat sink	Rogue ES 250i	
2	1	0464751046	Main transformer	Rogue ES 250i	15T1
3	1		Holding frame	Rogue ES 250i	
4	1	0464752142	Secondary inductor	Rogue ES 250i	15L1
5	2	0464752143	Inductor holder	Rogue ES 250i	
6	1		Base plate	Rogue ES 250i	
7	1		Plastic cover	Rogue ES 250i	
8	1	0464752144	Insulator	Rogue ES 250i	
9	1	0464752145	Connecting copper bar kit	Including fasten	
10	1		Plastic plate	Rogue ES 250i	
11	1	0464751044	Rectifier diode PCB kit	Including thermal compound	15AP2
12	1	0464751045	Fan	RD1238B24M-S/DC24V/0.93A	15EV1
13	1		Insulator cover	Rogue ES 250i	



1.5 Whole power source module

C = Component designation in the circuit diagram					
Item	Qty	Ordering no.	Denomination	Notes	C
1	1		Handle	Including fasten	
2	1		Case	Including decal and fasten	
3	1	0464752146	Middle plate module	Rogue ES 250i	
4	1		Front pane module	Rogue ES 250i	
5	1		Base plate module	Rogue ES 250i	
6	1		Back panel module	Rogue ES 250i	





A WORLD OF PRODUCTS AND SOLUTIONS.



For contact information visit <http://esab.com>

ESAB AB, Lindholmsallén 9, Box 8004, 402 77 Gothenburg, Sweden, Phone +46 (0) 31 50 90 00

manuals.esab.com

